

Vacuum filter 1", steel

Article number: 3116709

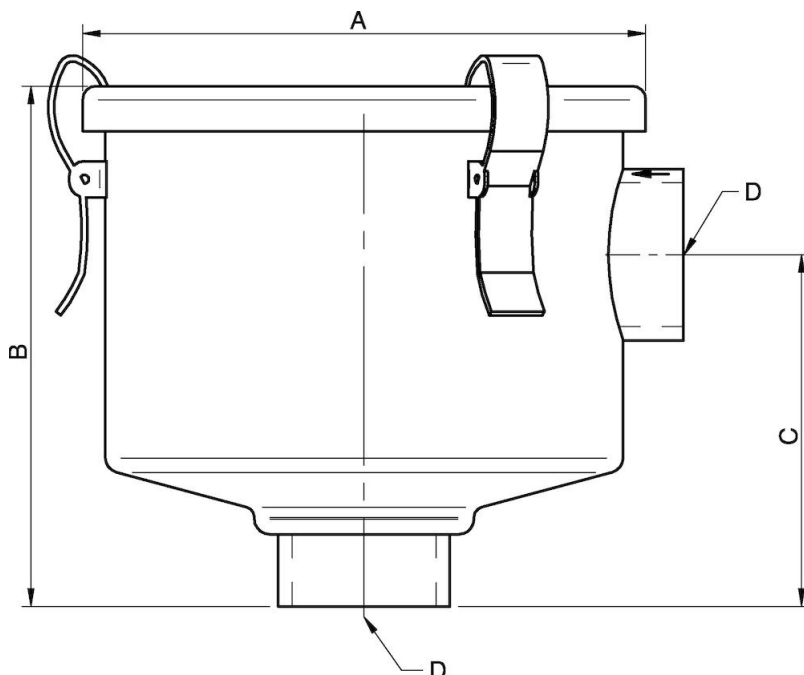


- To filter dust and other small particles from the vacuum flow.
- Reduces the risk of operation breakdown or stoppage in the pump.

Technical data

Description	Unit	Value
Material	-	Baked enamel steel, Nitrile (NBR), Polyester, SS
Temperature, max.	°C	90
Temperature, min.	°C	-30
Weight, min.	g	1000
Flow	l/s	16.5
Pressure, max.	MPa	0
Length (B)	mm	111
Length 2 (C)	mm	67
Thread	in	1"
Outer diameter, min. (A)	mm	150
Filter area	cm ²	600
Fitting size	-	1"
Pressure, min.	MPa	-0.1
Removal efficiency	µm	5
Volume, internal	cm ³	810

Dimensional drawings



Spare parts

3116711 | Filter element 1"